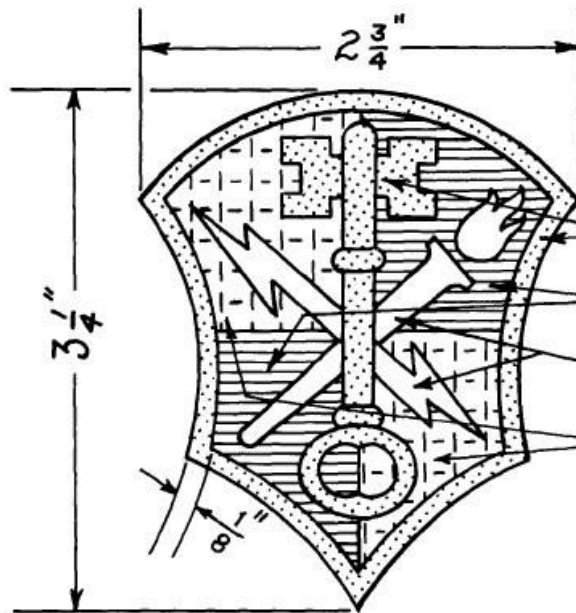


FOR SUBDUED INSIGNIA,
 GRAY AND BLUE BACK-
 GROUND AREAS TO BE
 OD HAH, CABLE NO. 67133.
 YELLOW AND WHITE AREAS
 TO BE BLACK HAN,
 CABLE NO. 6713B.

REVISIONS			
LTR	DESCRIPTION	DATE	APPROVED
C	COLOR NOTE REVISED FROM "TEAL BLUE"	4 May 88	<i>R.F. Baker</i> R.F. BAKER, COL, US DIRECTOR



- YELLOW HH
CABLE NO. 67108
- ORIENTAL BLUE HBW
CABLE NO. 67172
- WHITE HA
CABLE NO. 67101
- SILVER GRAY HAM
CABLE NO. 67137

STITCH COUNT
 6777 STITCHES (MINIMUM)
 100/2 DENIER
 12/4 SPAN
DESIGNED FOR OVEREDGE STITCHING

UNLESS OTHERWISE
 SPECIFIED DIMEN-
 SIONS ARE IN INCHES
 TOLERANCES ON
 FRACTIONS DECIMALS
 ANGLES

EXAMINED	<i>CR</i>
CHECKED	<i>JDT</i>
PREPARED	<i>TIP</i>
APPROVED	<i>R.F. Baker</i> D.K. BAXTER, COLONEL, G S, DIRECTOR

THE INSTITUTE OF HERALDRY, U.S. ARMY
 CAMERON STATION, ALEXANDRIA, VA 22304-5050

SHOULDER SLEEVE INSIGNIA
 U.S. ARMY INTELLIGENCE
 AND SECURITY COMMAND

SIZE	CODE IDENT. NO.	A-1-611
A	22571	
SCALE FULL		DATE 25 MARCH 1977